

JuiceStand Pro

User Manual

ENGLISH

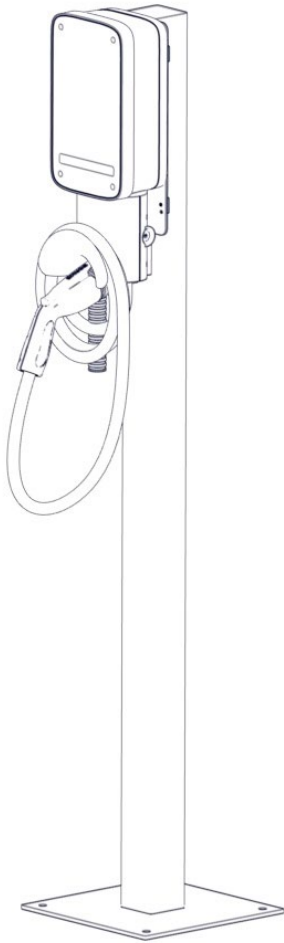


Table of contents

Welcome	3
Package Contents	3
JuiceStand Pro Components	3
Fasteners - JuiceBox Legacy	4
Fasteners - JuiceBox Next Gen	4
Base Mount Hardware for JuiceStand	4
JuiceStand Pro Dimensions	5
Installation Area	5
Installation - JuiceBox Legacy	5
Installation - JuiceBox Next Gen	9
Connect Power	12
Convert JuiceBox Legacy to Next Gen	13
Important Safety Information	15

Welcome

This manual explains how to install the JuiceStand Pro.



Package Contents

JuiceStand Pro Components

- > JuiceStand Pro
- > Crossbars (x2 for 1 charging station, x4 for 2 charging stations)
- > Backplate (x1 for 1 charging station, x2 for 2 charging stations)

Fasteners – JuiceBox Legacy

- > 1/4 in 10–32 Phillips screws (Number 2 drive size) (x4 for 1 charging station, x8 for 2 charging stations) to secure backplate/charging station assembly to stand **[Recommended Torque: 21 in lbs]**
- > 1/2 in 10–32 Phillips screws (Number 2 drive size) (x2 for 1 charging station, x4 for 2 charging stations) to secure crossbars to stand **[Recommended Torque: 25 in lbs]**
- > 3/8 in 1/4"–20 Phillips screws (Number 3 drive size) (x4 for 1 charging station, x8 for 2 charging stations) to secure backplate to charging station **[Recommended Torque: 25 in lbs]**

Fasteners – JuiceBox Next Gen

- > 1/4 in 10–32 Phillips screws (Number 2 drive size) (x4 for 1 charging station, x8 for 2 charging stations) to secure backplate/charging station assembly to stand **[Recommended Torque: 21 in lbs]**
- > 1/2 in 10–32 Phillips screws (Number 2 drive size) (x2 for 1 charging station, x4 for 2 charging stations) to secure crossbars to stand **[Recommended Torque: 25 in lbs]**
- > 3/4 in 10–32 Phillips screws (Number 2 drive size) (x2 for 1 charging station, x4 for 2 charging stations) to secure backplate to charging station **[Recommended Torque: 25 in lbs]**

Base Mount Hardware for JuiceStand

- > 5 in long and 3/8 in in diameter (x4) Stud Anchors for Concrete **[Recommended Torque: 30 ft lbs]**
- > 8 in long and 3/8 in in diameter (x4) J-Hook Anchors for Wet Concrete **[Recommended Torque: 25 ft lbs]**
- > 3/8 in washers (x4)
- > 3/8 in –16 hex nuts (x4)

JuiceStand Pro Dimensions

- > Height: 59.3 in (150.6 cm)
- > Width: 3.5 in (8.9 cm) x 6 in (15.2 cm) deep
- > Base: 12 in (30.4 cm) x 12 in (30.4 cm)

Installation Area

Refer to the [Enel X Way Site Design Guide](#).

Installation – JuiceBox Legacy

This procedure explains how to install one charging station onto the stand. If applicable, perform the same procedure for both charging stations.

This procedure applies only to “JuiceBox Legacy”. Verify the correct product before installing.

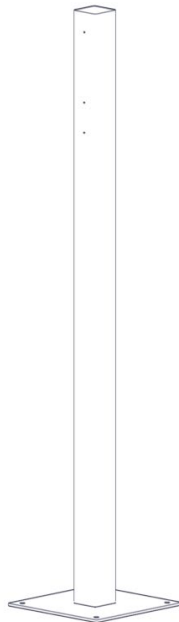




NOTE:

- > The JuiceStand must be installed in accordance with the National Electrical Code (NFPA 70) and all applicable local jurisdiction requirements.
- > Junction Boxes must be UL Listed or UL Certified for outdoor-use.
- > Conduit fittings must be liquid-tight and UL Listed or UL Certified for outdoor-use.

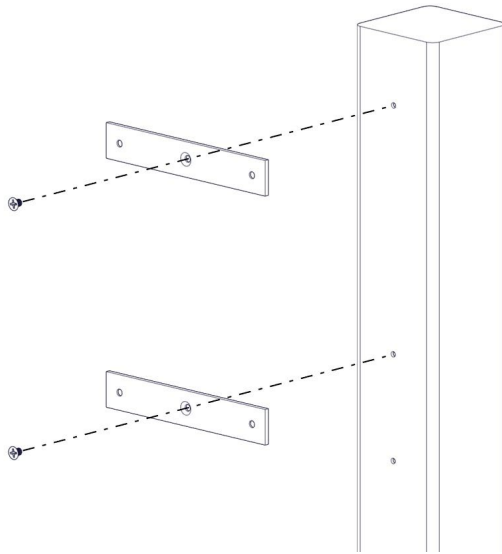
1. Secure the JuiceStand Pro to the ground stud anchors (refer to [Installation Area](#) for more information).



2. Secure the crossbars to the stand.



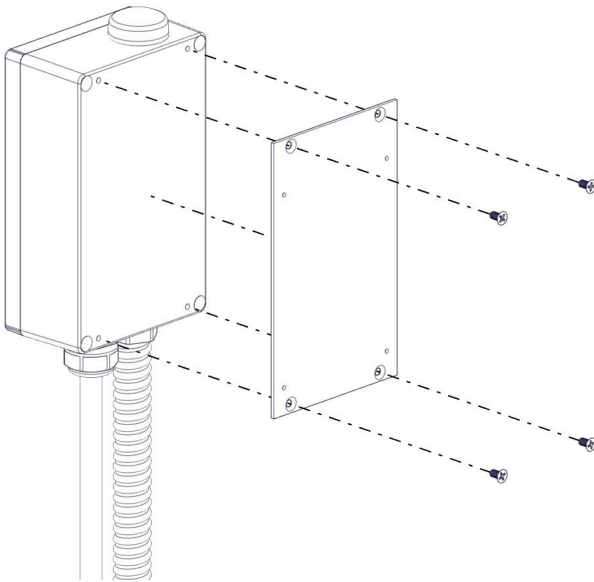
NOTE: It is recommended to apply a torque of 25 in lbs to the screws.



3. Secure the backplate to the charging station.



NOTE: It is recommended to apply a torque of 25 in lbs to the screws.

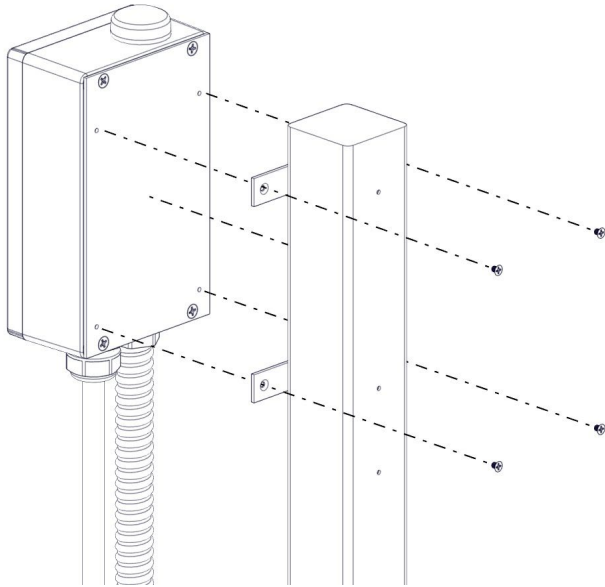


NOTE: In the next step, the backplate and charging station are handled as an assembly.

4. Secure the backplate and charging station assembly to the crossbars.



NOTE: It is recommended to apply a torque of 21 in lbs to the screws.



Installation – JuiceBox Next Gen

This procedure explains how to install one charging station onto the stand. If applicable, perform the same procedure for both charging stations.

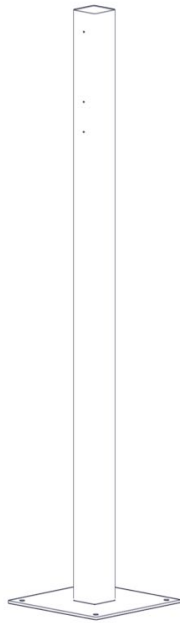
This procedure applies only to "JuiceBox Next Gen". Verify the correct product before installing.



NOTE:

- > The JuiceStand must be installed in accordance with the National Electrical Code (NFPA 70) and all applicable local jurisdiction requirements.
- > Junction Boxes must be UL Listed or UL Certified for outdoor-use.
- > Conduit fittings must be liquid-tight and UL Listed or UL Certified for outdoor-use.

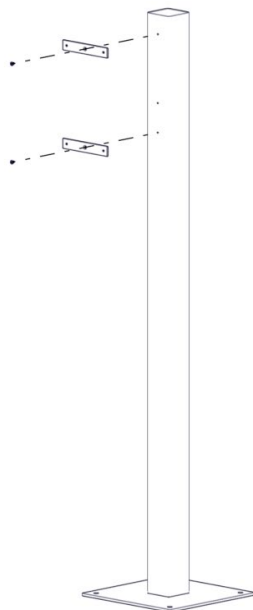
1. Secure the JuiceStand Pro to the ground stud anchors (refer to [Installation Area](#) for more information).



2. Secure the crossbars to the stand.

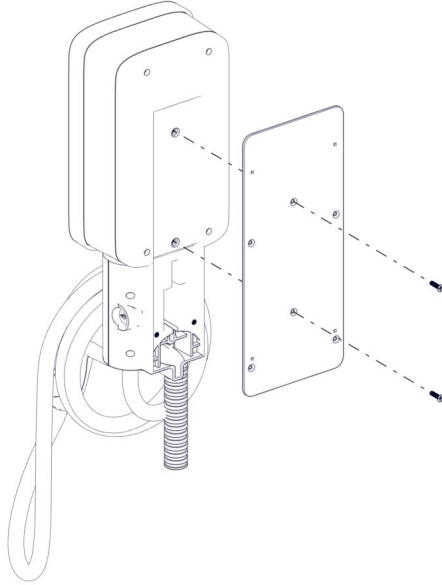


NOTE: It is recommended to apply a torque of 25 in lbs to the screws.



3. Secure the backplate to the charging station.

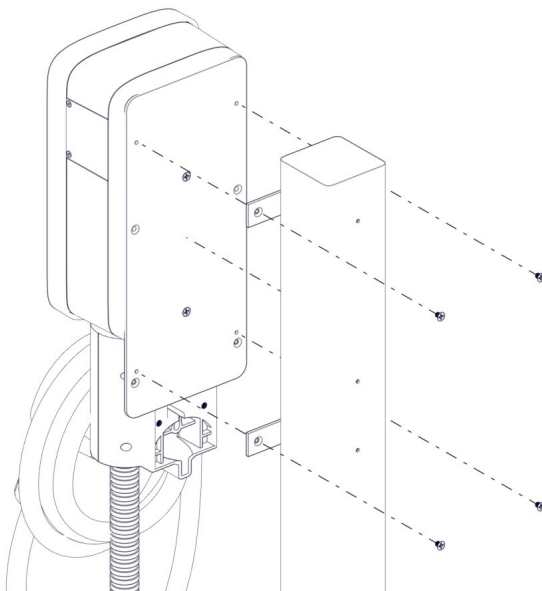
i **NOTE:** It is recommended to apply a torque of 25 in lbs to the screws.



i **NOTE:** In the next step, the backplate and charging station are handled as an assembly.

4. Secure the backplate and charging station assembly to the crossbars.

i **NOTE:** It is recommended to apply a torque of 21 in lbs to the screws.



Connect Power

1. Turn off the mains power to the hardwire connections.
2. Use a multimeter to ensure that there is no power at the hardwire connections.



WARNING: Do not continue with the installation until the multimeter shows that there is no power at the hardwire connections to mains.

3. Connect the mains power wires to the EVSE wires.

JUICEBOX LEGACY

RED	BLACK	GREEN
L1	L2	Ground

JUICEBOX NEXT GEN

BLACK	RED	GREEN
L1	L2	Ground



NOTE: For JuiceBox Next Gen, L1 is black and L2 is red.

4. Reconnect power to the hardwire connections. The charging station turns on automatically.

Convert JuiceBox Legacy to Next Gen

This section describes how to remove JuiceBox Legacy from the JuiceStand Pro and replace it with JuiceBox Next Gen.



1. Turn off the mains power to the hardwire connections.



WARNING: Do not continue with this procedure until power has been disconnected.

2. Use a multimeter to ensure that there is no power at the hardwire connections.

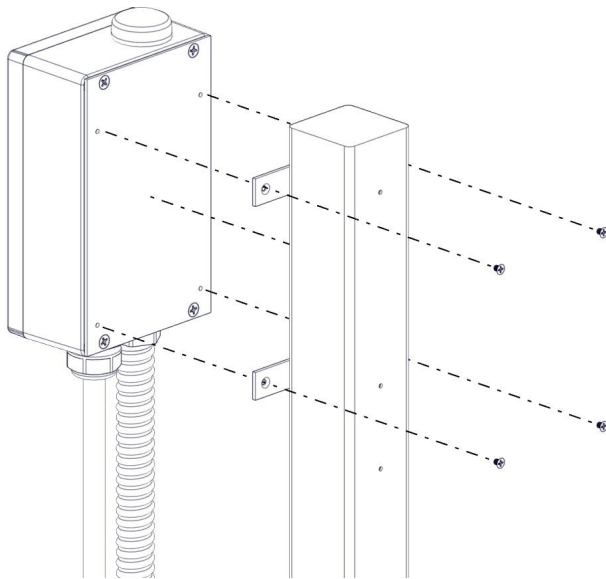


WARNING: Do not continue with this procedure until the multimeter shows that there is no power at the hardwire connections to mains.

3. Disconnect the charging station wires from the hardwire mains.
4. Release the fasteners (x4) that secure the charging station and backplate to the stand.



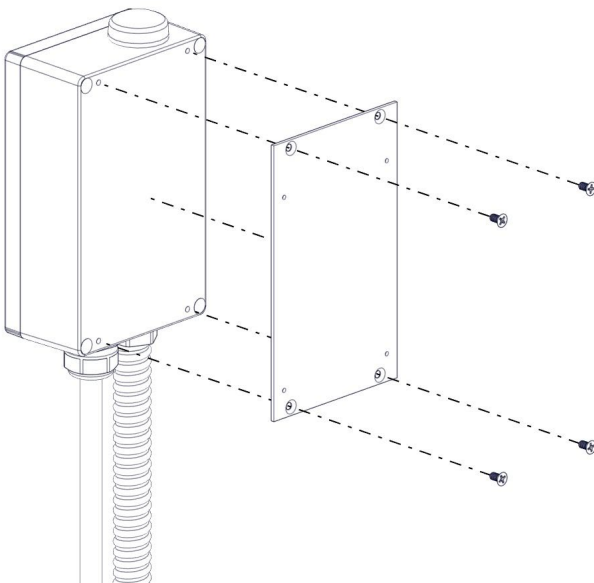
NOTE: The charging station and backplate are removed as an assembly.



5. Release the fasteners that secure the backplate to the charging station. Remove the backplate.



NOTE: A new backplate is installed in a later step.





6. Install the new charging station according to the [“Installation - JuiceBox Next Gen”](#) section of this manual, **beginning at step 3**.

Important Safety Information

Read all safety information before installing this product.


 **Warning:** This device should be supervised when used around children.


 **Warning:** Do not put fingers into the electric vehicle connector.


 **Warning:** Do not use this product if the flexible power cord is frayed, has broken insulation, or shows any other signs of damage.


 **Warning:** For use with electric vehicles only.


 **Warning:** Do not use this device with an extension cord.


 **Warning:** Do not remove cover or attempt to open the enclosure. No user serviceable parts inside. Refer servicing to qualified service personnel.

 **Warning:** Install and use away from flammable, explosive, harsh or combustible vapors, materials or chemicals.

 **Warning:** Do not operate outside temperature rating of -40°C to $+60^{\circ}\text{C}$.

 **Warning:** This device is intended only for electric vehicles not requiring ventilation during charging.

 **Warning:** This product must be grounded. If it should malfunction or break down, grounding provides a path of least resistance for electric current to reduce the risk of electric shock.

 **Warning:** Improper connection of the equipment-grounding conductor is able to result in a risk of electric shock. Check with a qualified electrician or serviceman if you are in doubt as to whether the product is properly grounded.